

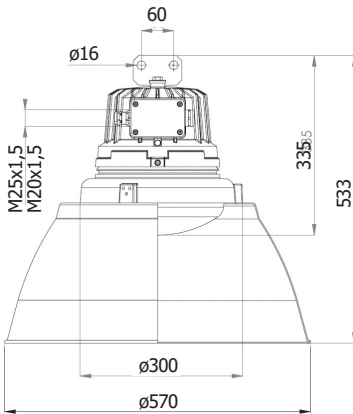
# SIRIUS LED

Zone 1/21  
Zone 2/22

II 2G Ex db eb op is IIC T5 Gb  
II 2D Ex tb op is IIIC T90°C Db  
of 591 44 01

II 2G Ex db eb op is IIC T6 Gb  
II 2D Ex tb op is IIIC T81°C Db  
of 591 44 02

II 2G Ex db eb op is IIC T5 Gb  
II 2D Ex tb op is IIIC T87°C Db  
of 591 44 03



Explosion-proof light fitting for the illumination of indoor and outdoor industrial spaces with a danger of gas, vapors and dust explosion.

## TECHNICAL DESCRIPTION

The body and flange of the light fitting are AISi alloy castings finished with RAL 1005 powder paint. The optical cover is made of tempered glass. A steel suspension with eyes is fixed to the top part of the body. There are two cable outlets on the sides of the light fitting. The steel base plate with electrical equipment and reflector is built inside the light fitting. The light fitting is designed as a through light fitting, for three phase alternation (five-core cable). When the light fitting is used as terminal light fitting, the free cable outlet is blinded with a plug. The max. cross-section of the connecting conductors is 4 mm<sup>2</sup>. The light fitting is produced with plastic cable gland as standard; metal gland is available on request.

## INSTALLATION

With steel suspensions with eyes  $\varnothing$ 16 mm

## VERSIONS

Standard light fittings are available with cable outlets M25x1,5, optionally with cable outlets M20x1,5

## LIFETIME

100.000 hours, L90B10

## DRIVER FUNCTIONS

e CLO, ITG, IVG+, NFC, ETM+NTC, inputDIM

			<b>ATEX</b> 2014/34/EU
198 - 264V AC 176 - 280V DC	50 Hz 60 Hz	<b>Ta</b> -40°C ÷ +50°C - 591 44 01 -40°C ÷ +55°C - 591 44 02 -40°C ÷ +60°C - 591 44 03	
<b>Carton (mm/pcs) 350 x 350 x 340 / 1</b>			

Type	Power input [W] / Luminous flux [lm]	Luminous efficiency [lm/W]	Temperature class	Angle of beam [°]	Color temperature [K]	CRI	Weight [kg]
<b>591 44 01 (K)</b>	100 / 15 025	150	T5 / T90°C	120	4000 (standard), 5000, 5700, 6500	>80	15
<b>591 44 02 (K)</b>	75 / 11 475	153	T6 / T81°C	120	4000 (standard), 5000, 5700, 6500	>80	15
<b>591 44 03 (K)</b>	65 / 9 750	150	T5 / T87°C	120	4000 (standard), 5000, 5700, 6500	>80	14

\*By adding letter „K“ behind type designation, light fittings will be provided with protective steel baskets (591 44 01 K).

## MAXIMUM CIRCUIT BREAKER LOAD AND NUMBER OF LUMINAIRES CONNECTED IN SERIES (half load for types 591 44 01, 591 44 02)

Circuit breaker	C10	C13	C16	C20	B10	B13	B16	B20
Amount of luminaires max	10	13	17	22	6	8	10	13
Conductor cross-section	1,5	1,5	2,5	4	1,5	1,5	2,5	4

Starting current Imax	time
41.6A	238us

\* Actual values may vary due to the types of circuit breakers used and the installation environment.

## TO ORDER



Shade  
154.5041/2



Protective basket  
2-99.6325



Holder for mounting  
on the ceiling  
4-99.5903



Key  
3-99.6159



Blinding plug  
HSK-V-Ex M25x1,5  
M20x1,5



Screw plug  
M25x135; M20x1,5



Blinding screw  
V-MS-VMQ-Ex M20x1,5