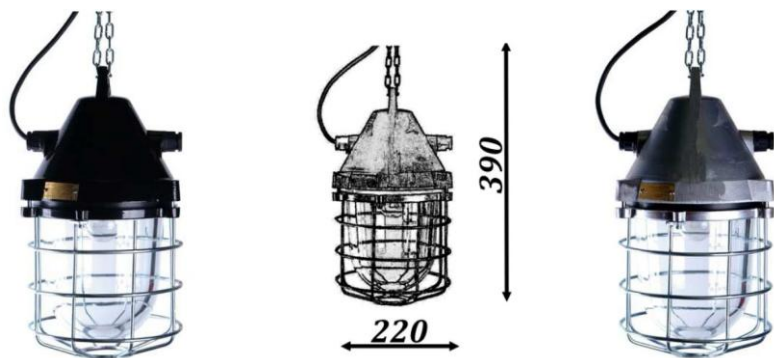


SIMPLEX INDUSTRIAL

Use:

Light fitting for the illumination of indoors, interior rooms.



CE	230V 50Hz		E27	Ta -25°C ÷ +30°C
IP65	Carton (mm/pcs): 410 x 240 x 240 / 1			



Technical description:

The light fitting body and flange are AlSi alloy castings finished with powder paint. There are two cable outlets on the light fitting sides. There is an E27 socket and reflector built inside the light fitting. The max. cross-section of the connecting conductors is 4 mm².

Installation:

With a suspension eye, by suspending.

Versions:

The light fittings are made in various colour designs (RAL palette) according to the customers' wishes. Optionally, the light fitting can be provided with a protective steel basket – designation "K".

Type	Recommended light source [W]	Socket	Weight [kg]
511 14 07 H	Bulb max. 200 LED bulb	E27	5

*By adding the letter "K" after the type designation, the light fittings will be provided with protective baskets (511 14 07 HK)

