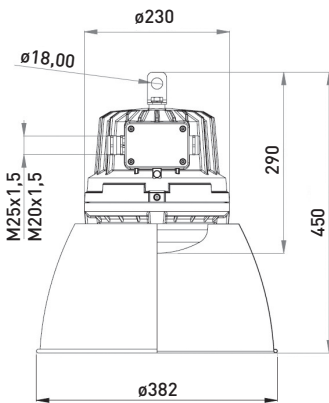


# PEGAS LED

Light fitting for the illumination of heavy indoor and outdoor industrial spaces with a high level of mechanical stress.



## TECHNICAL DESCRIPTION

The light fitting body and flange are AlSi alloy castings finished with powder paint. The optical cover is made of tempered glass. A steel suspension with an eye is fixed to the top part of the body. There are two cable outlets on the light fitting sides. There is a LED module built inside the light fitting and it is comprised of a board fitted with LEDs and a power supply. The light fitting is designed as a through light fitting, for three-phase connection (five-core cable). When the light fitting is used as a terminal light fitting, the free cable outlet is blinded with a plug. The max. cross-section of the connecting conductors is 4 mm<sup>2</sup>. The light fitting is produced with plastic cable gland as standard, metal gland is available on request.

## INSTALLATION

With a steel suspension with an eye  $\varnothing 18$  mm.

## VERSIONS

Light fittings are provided with a self-resetting thermal fuse and surge guard up to 3,75 kV. Standard light fittings are available with cable outlets M25x1.5, optionally with cable outlets M20x1.5

## LIFETIME

50.000 hours, L80B20

CE			198 - 264V AC 176 - 280V DC
IP66	50 Hz 60 Hz	Ta -30°C ÷ +40°C	
Carton (mm/pcs) 300 x 250 x 270 / 1			

Type	Power input [W] / Luminous flux [lm]	Luminous efficiency [lm/W]	Angle of beam [°]	Colour temperature [K]	CRI	Weight [kg]
591 41 01 (K)	45 / 6000	133	120	4000, 5000, 5700, 6500	>80	10
591 41 02 (K)	30 / 3970	132	120	4000, 5000, 5700, 6500	>80	10

\*By adding letter „K“ behind type designation, light fittings will be provided with protective steel baskets (591 41 01K).

## MAXIMUM CIRCUIT BREAKER LOAD AND NUMBER OF LUMINAIRES CONNECTED IN SERIES

Circuit breaker	B16
Amount of luminaires max	25
Conductor cross-section	2,5

Starting current I <sub>max</sub>	time
5A	50us

\* Actual values may vary due to the types of circuit breakers used and the installation environment.

## TO ORDER



Shade  
254.5021/01



Holder for mounting  
on the ceiling  
4-99.7995



Key  
3-99.6158/1