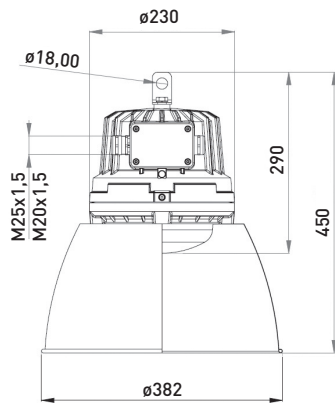


PEGAS LED PRO

Light fitting for the illumination of indoor and outdoor industrial spaces.



TECHNICAL DESCRIPTION

The light fitting body and flange are AlSi alloy castings finished with powder paint. The optical cover is made of tempered glass. A steel suspension with an eye is fixed to the top part of the body. There are two cable outlets on the light fitting sides. There is a LED module built inside the light fitting and it is comprised of a board fitted with LEDs and a power supply. The light fitting is designed as a through light fitting, for threephase connection (five-core cable). When the light fitting is used as a terminal light fitting, the free cable outlet is blinded with a plug. The max. cross-section of the connecting conductors is 4 mm². The light fitting is produced with plastic cable gland as standard, metal gland is available on request.

INSTALLATION

With a steel suspension with an eye $\varnothing 18$ mm.

VERSIONS

Light fittings are provided with a self-resetting thermal fuse and surge guard up to 10 kV. Standard light fittings are available with cable outlets M25x1.5, optionally with cable outlets M20x1.5

DRIVER FUNCTIONS

e CLO, ITG, IVG+, NFC, ETM+NTC, inputDIM

LIFETIME

100.000 hours, L90B10

CONTROL

DALI-2

CE			198 - 264V AC 176 - 280V DC
IP66	50 Hz 60 Hz	Ta -40°C ÷ +50°C	
Carton (mm/pcs) 300 x 250 x 270 / 1			

Type	Power input [W] / Luminous flux [lm]	Luminous efficiency [lm/W]	Angle of beam [°]	Colour temperature [K]	CRI	Weight [kg]
591 41 01 (K) PRO	50 / 7165	143	120	4000, 5000, 5700, 6500	>80	10
591 41 02 (K) PRO	30 / 4365	146	120	4000, 5000, 5700, 6500	>80	10

*By adding letter „K” behind type designation, light fittings will be provided with protective steel baskets (591 41 01K PRO).

MAXIMUM CIRCUIT BREAKER LOAD AND NUMBER OF LUMINAIRES CONNECTED IN SERIES

Circuit breaker	C10	C13	C16	C20	B10	B13	B16	B20
Amount of luminaires max	10	13	16	21	6	8	10	13
Conductor cross-section	1,5	1,5	2,5	4	1,5	1,5	2,5	4

Starting current I _{max}	time
32A	355 μ s

* Actual values may vary due to the types of circuit breakers used and the installation environment.

TO ORDER



Shade
254.5021/01



Holder for mounting
on the ceiling
4-99.7995



Key
3-99.6158/1