

# ORION LED

**Zone 1/21**  
**Zone 2/22**

**II 2G Ex db eb op is IIC T5-T6 Gb**  
**II 2D Ex tb op is IIIC T80-90°C Db**

Explosion-proof light fitting for the illumination of indoor and outdoor industrial spaces with a danger of gas, vapour and dust explosion.



## TECHNICAL DESCRIPTION

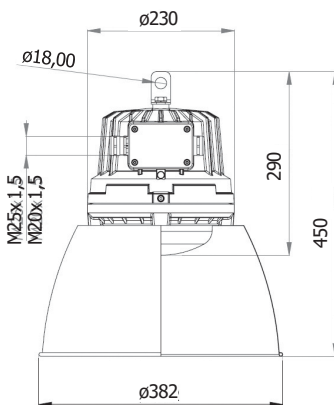
The body and flange of the light fitting are AlSi alloy castings finished with RAL 1005 powder paint. The optical cover is made of tempered glass. A steel suspension with an eye is fixed to the top part of the body. There are two cable outlets on the light fitting sides. There is a LED module built inside the light fitting, and it is comprised of a board fitted with LEDs and a power supply. The light fitting is designed as a through light fitting, for three phase alternation (five-core cable). When the light fitting is used as terminal light fitting, the free cable outlet is blinded with a plug. The max. cross-section of the connecting conductors is 4 mm<sup>2</sup>. The light fitting is produced with plastic cable gland as standard; metal gland is available on request.

**INSTALLATION** With a steel suspension with an eye  $\varnothing 18$  mm

**VERSIONS** Light fittings are provided with a self-resetting thermal fuse and a surge guard up to 10 kV. Standard light fittings are available with cable outlets M25x1.5, optionally with cable outlets M20x1.5

**LIFETIME** 100.000 hours, L90B10

**DRIVER FUNCTIONS** e CLO, ITG, IVG+, NFC, ETM+NTC, inputDIM



CE	LED	IP66	⚡	ATEX 2014/34/EU
3F	198 - 264V AC 176 - 280V DC	50 Hz 60 Hz	Ta -40°C ÷ +50°C	
Carton (mm/pcs) 300 x 250 x 250 / 1				

Type	Power input [W] / Luminous flux [lm]	Luminous efficiency [lm/W]	Temperature class	Angle of beam [°]	Colour temperature [K]	CRI	Weight [kg]
591 39 04 (K)	50 / 7100	142	T5 / T95°C	120	4000 (standard), 5000, 5700, 6500	>80	10
591 39 05 (K)	30 / 4365	146	T6 / T80°C	120	4000 (standard), 5000, 5700, 6500	>80	10

\*By adding letter „K“ behind type designation, light fittings will be provided with protective steel baskets (e.c. 591 39 04K)

## MAXIMUM CIRCUIT BREAKER LOAD AND NUMBER OF LUMINAIRES CONNECTED IN SERIES

Circuit breaker	C10	C13	C16	C20	B10	B13	B16	B20
Amount of luminaires max	10	13	16	21	6	8	10	13
Conductor cross-section	1,5	1,5	2,5	4	1,5	1,5	2,5	4

Starting current Imax	time
41.6A	238us

\* Actual values may vary due to the types of circuit breakers used and the installation environment.

## TO ORDER



Shade  
254.5021/01



Protective basket  
2-99.7461



Holder for mounting  
on the ceiling  
4-99.7995



Holder for mounting  
on the wall  
338.2735



Screw plug  
V-Ex



Blinding plug  
HSK-V-EX



Rotating holder  
3-99.6289



Key  
3-99.6158/1