

MULTISAFE LED

EXPLOSION - PROOF LUMINAIRES

Zone 2/22
II 3G Ex nR IIC T6 Gc
II 3D Ex tc IIIC T80°C Dc

Explosion-proof emergency light fitting for the permanent (M) and non-permanent (NM) illumination of indoor and outdoor industrial spaces with a danger of gas, vapour and dust explosion.



TECHNICAL DESCRIPTION

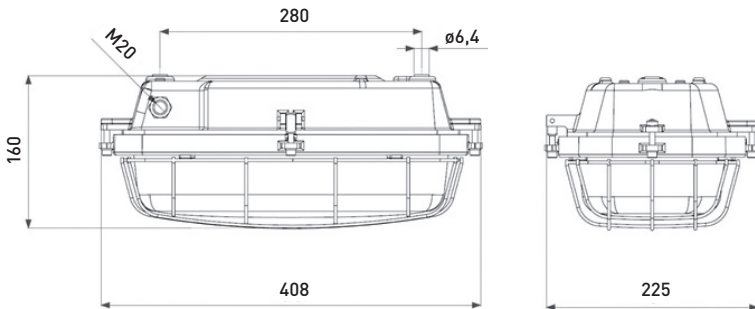
The body and flange of the light fitting are AlSi alloy castings finished with RAL 1005 powder paint. The optical cover is made of hardened glass. There are two cable outlets on the sides of the light fitting. There is an emergency LED module with a battery built inside the light fitting. The light fitting is designed as a through light fitting, for two phase alternation (four-core cable). When the light fitting is used as a terminal light fitting, the free cable outlet is blinded with a plug. The max. cross-section of the connecting conductors is 4 mm². The light fitting is produced with plastic cable gland as standard, metal gland is available on request.

INSTALLATION

On the ceiling, wall, or another solid substrate (structure) ensuring firm connection.

VERSIONS

Light fittings are made in versions for permanent (M) and non-permanent (NM) emergency illumination, with autonomy of 3 hours.



CE	230 V 50 Hz	IP66	ATEX 2014/34/EU
LED	EVG	EMERGENCY	Ta +5°C ÷ +40°C
Carton (mm/pcs) 415 x 235 x 170/1			

Type	Power input [W] / Charging power[W]	Luminous flux [lm] / Light flux during charging [lm]	Temperature class	Version	Autonomy [h]	Colour temperature [K]	Weight [kg]
591 32 01nEM	10 / 7	309 / 275	T6	M / NM	3	5700	5
591 32 02nEM	17 / 12	937 / 839	T6	M / NM	3	5700	5

TO ORDER



Protective glass
132.5069



Protective basket
1-99.5992/1



Wall/ceiling holder
338.2779



Screw plug
V-Ex M20x1,5



Blinding plug
HSK-V-Ex M20x1,5



Cable gland
M20x1,5 / M25x1,5