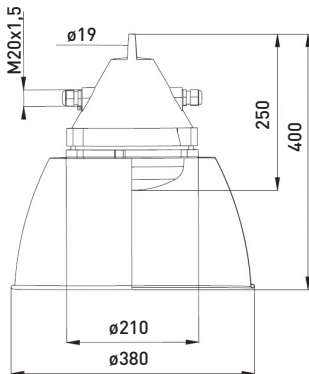


JUNIOR LED PRO

Light fitting for the illumination of heavy indoor and outdoor industrial spaces with a high level of mechanical stress.



TECHNICAL DESCRIPTION

The light fitting body and flange are AlSi alloy castings finished with powder paint. The optical cover is made of tempered glass. There are two cable outlets on the light fitting sides. There is a LED module built inside the light fitting and it is comprised of a board fitted with LEDs and a power supply. The light fitting is designed as a through light fitting, for three-phase connection (five-core cable). When the light fitting is used as a terminal light fitting, the free cable outlet is blinded with a plug. The max. cross-section of the connecting conductors is 4 mm². The light fitting is produced with plastic cable gland as standard, metal gland is available on request.

INSTALLATION

VERSIONS

With a suspension eye ø20 mm, ceiling holder 4-99.7995, flexible suspension 2-99.5550

DRIVER FUNCTIONS

e CLO, ITG, IVG+, NFC, ETM+NTC, inputDIM

LIFETIME

100.000 hours, L90B10

CONTROL

DALI-2

CE	LED	198 – 264V AC 176-280V DC
IP66	50 Hz 60 Hz	Ta -40°C ÷ +50°C
Carton (mm/pcs) 240 x 240 x 260 / 1		

Type	Power input [W] / Luminous flux [lm]	Luminous efficiency [lm/W]	Angle of beam [°]	Colour temperature [K]	CRI	Weight [kg]
591 15 01 (K) PRO	35 / 4786	137	120	4000, 5000, 5700, 6500	>80	6
591 15 02 (K) PRO	25 / 3533	141	120	4000, 5000, 5700, 6500	>80	6
591 15 03 (K) PRO	15 / 2179	143	120	4000, 5000, 5700, 6500	>80	6

*By adding letter „K” behind type designation, light fittings will be provided with protective steel baskets (591 15 01K).

MAXIMUM CIRCUIT BREAKER LOAD AND NUMBER OF LUMINAIRES CONNECTED IN SERIES

Circuit breaker	C10	C13	C16	C20	B10	B13	B16	B20
Amount of luminaires max	20	26	33	43	12	16	20	26
Conductor cross-section	1,5	1,5	2,5	4	1,5	1,5	2,5	4

Starting current I _{max}	time
24.88A	236us

* Actual values may vary due to the types of circuit breakers used and the installation environment.

TO ORDER



Shade
254.5021/01



Holder ofr mounting
on the ceiling
4-99.7995



Flexible suspension
2-99.5550