

# FARMER I LED PRO

low glass

INDUSTRY LUMINAIRES

Light fitting for the illumination of indoor and outdoor industrial spaces.

## TECHNICAL DESCRIPTION

The body is made of steel sheet and finished with powder paint. The inorganic glass cover with seal and protective basket are fixed to the body with four metal caps. There is a LED module built inside the light fitting and it is comprised of a board fitted with LEDs and a power supply. According to the individual types, the light fitting includes: an AISi terminal box, a steel pipe, or a galvanized steel sheet boom. The light fitting is made as a through light fitting and is provided with two cable outlets. The max. cross-section of the connecting conductors is 4 mm<sup>2</sup>.



591 36 11K PRO  
591 37 11K PRO



591 36 12K PRO  
591 37 12K PRO

## INSTALLATION

On the ceiling, wall

## VERSION

Optional version of light fitting with reinforced corrosion protection – version „pz“, version with a protective steel basket – version „K“, version with a protective polycarbonate basket and stainless-steel caps – version „p“. Light fittings are provided with a self-resetting thermal fuse and surge guard up to 10kV.

## LIFETIME

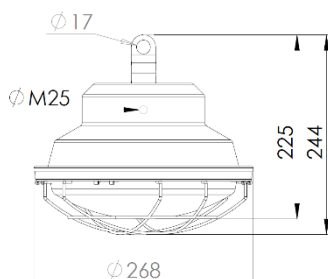
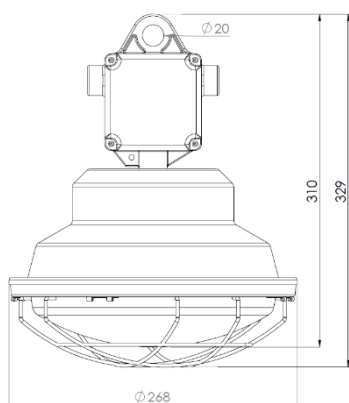
100.000 hodin, L90B10

## DRIVER FUNCTION

e CLO, ITG, IVG+, NFC, ETM+NTC, inputDIM

## CONTROL

DALI-2



CE		198 - 264V AC 176 - 276V DC	IP66 for all types
<p>Ta</p> <p>-40°C ÷ +50°C - 591 37 0x PRO -40°C ÷ +60°C - 591 36 0x PRO</p>			

Type	Power input [W] / Luminous flux [lm]	Luminous efficiency [lm/W]	Angle of beam [°]	Colour temperature [K]	CRI	Part of luminaire	Weight [kg]
591 36 01 (K) PRO	30 / 4 620	154	120	4000, 5000, 5700, 6500	>80	Terminal box	4,8
591 36 02 (K) PRO	30 / 4 620	154	120	4000, 5000, 5700, 6500	>80	Holder	4,8
591 37 01 (K) PRO	45 / 6 550	146	120	4000, 5000, 5700, 6500	>80	Terminal box	4,8
591 37 02 (K) PRO	45 / 6 550	146	120	4000, 5000, 5700, 6500	>80	Holder	4,8

\* / \*\* / \*\*\*

### MAXIMUM CIRCUIT BREAKER LOAD AND NUMBER OF LUMINAIRES CONNECTED IN SERIES for 59x 36 0x PRO

Circuit breaker	C10	C13	C16	C20	B10	B13	B16	B20
Amount of luminaires max	20	26	33	43	12	16	20	26
Conductor cross-section	1,5	1,5	2,5	4	1,5	1,5	2,5	4

Inrush current Imax	time
24.88A	236us
41.6A	238us

### MAXIMUM CIRCUIT BREAKER LOAD AND NUMBER OF LUMINAIRES CONNECTED IN SERIES for 59x 37 0x PRO

Circuit breaker	C10	C13	C16	C20	B10	B13	B16	B20
Amount of luminaires max	10	13	17	22	6	8	10	13
Conductor cross-section	1,5	1,5	2,5	4	1,5	1,5	2,5	4

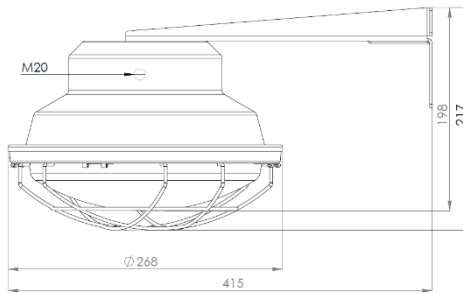
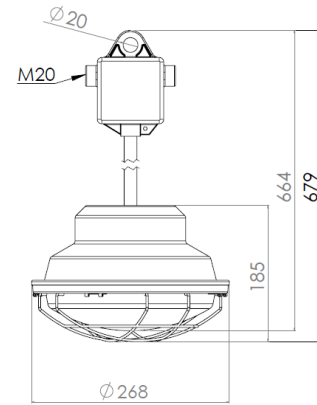
\* Actual values may vary due to the types of circuit breakers used and the installation environment.



592 36 13K PRO  
592 37 13K PRO



593 36 14K PRO  
593 37 14K PRO



CE		198 - 264V AC 176 - 276V DC	IP66 for all types
Ta		-40°C ÷ +50°C – 59x 37 0x PRO -40°C ÷ +60°C – 59x 36 0x PRO	

Type	Power input [W] / Luminous flux [lm]	Luminous efficiency [lm/W]	Angle of beam [°]	Colour temperature [K]	CRI	Part of luminaire	Weight [kg]
592 36 03 (K) PRO	30 / 4 620	154	120	4000, 5000, 5700, 6500	>80	Pipe and terminal box	4,8
593 36 04 (K) PRO	30 / 4 620	154	120	4000, 5000, 5700, 6500	>80	Boom	4,8
592 37 03 (K) PRO	45 / 6 550	146	120	4000, 5000, 5700, 6500	>80	Pipe and terminal box	4,8
593 37 04 (K) PRO	45 / 6 550	146	120	4000, 5000, 5700, 6500	>80	Boom	4,8

\*By adding the letter „K“ after the type designation, the light fittings will be provided with protective baskets. (e.g. 592 36 03K, 592 36 03K PRO).

\*\*By adding the letter „p“ after the type designation, the light fittings will be made with protective polycarbonate baskets and stainless-steel caps – for harsh conditions (e.g. 593 36 04p, 593 36 04p PRO).

\*\*\*By adding the letters „pz“ after the type designation, the light fittings will be made with reinforced corrosion protection – for extra harsh conditions (e.g. 592 36 03Kpz, 592 36 03Kpz PRO).



Stainless steel cap  
4-99.6180/01



Metal cap  
4-99.8470/0

