

# FARMER II LED

Light fitting for the illumination of indoor and outdoor industrial spaces.

### TECHNICAL DESCRIPTION

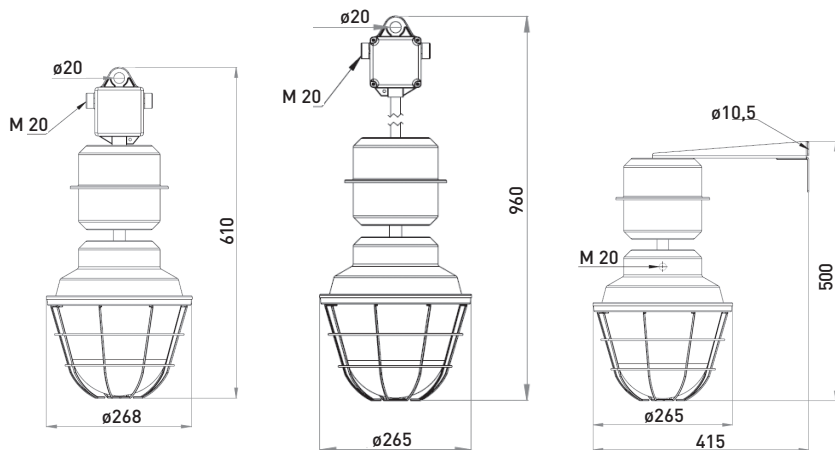
The body is made of steel sheet and finished with powder paint. The inorganic glass cover with seal and protective basket are fixed to the body with four metal caps. There is a LED module built inside the light fitting and it is comprised of a board fitted with LEDs and a power supply. According to the individual types, the light fitting includes: an AISi terminal box, a steel pipe, or a galvanized steel sheet boom. The light fitting is made as a through light fitting and is provided with two cable outlets. The max. cross-section of the connecting conductors is 4 mm<sup>2</sup>. The light fitting is produced with plastic cable gland as standard, metal gland is available on request.

INSTALLATION On the ceiling, wall.

### VERSIONS

Optional version of light fittings with reinforced corrosion protection – version „pz“, version with a protective steel basket – version „K“, version with a protective polycarbonate basket and stainless-steel caps – version „p“. Light fittings are provided with a self-resetting thermal fuse and surge guard up to 3 kV.

LIFETIME: 50.000 hours, L80B20



CE	⏚	198 - 264V AC 176 - 276V DC
IP54	LED	Ta -35°C ÷ +40°C
Carton (mm/pcs)		1000 x 280 x 280 / 2 650 x 280 x 280 / 1 590 x 490 x 260 / 2

Type	Part of light fitting	Power input [W] / Luminous flux [lm]	Luminous efficiency [lm/W]	Angle of beam [°]	Colour temperature [K]	CRI	Weight [kg]
591 37 01 (K)	Terminal box	45 / 6480	144	120	4000, 5000, 5700, 6500	>80	8
592 37 03 (K)	Pipe and terminal box						
593 37 04 (K)	Boom						

\*/\*\*/\*\*

### MAXIMUM CIRCUIT BREAKER LOAD AND NUMBER OF LUMINAIRES CONNECTED IN SERIES

Circuit breaker	B16
Amount of luminaires max	25
Conductor cross-section	2,5

Starting current I <sub>max</sub>	time
5A	50us

\* Actual values may vary due to the types of circuit breakers used and the installation environment.

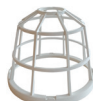
### TO ORDER



Glass cover  
232.5068/1



Protective steel basket  
1-99.6231



Protective basket polycarbonate  
182.2540 PMMA 182.5005



Stainless steel cap  
4-99.6180/01



Metal cap  
4-99.8470/01



Blinding plug  
M20x1,5

# LUMINAIRES CONFIGURATOR

Applies to a group of luminaires **FARMER I LED, FARMER I LED PRO, FARMER II LED, FARMER I LED PRO 50W**

## 591 36 01PRO 1 -P -1D 3 -30 4 -11 5 -M20 6 -4K 7

### 1 Type

P
PC
M

1
1D
2

30
40
50

10
11

M20
M25
P20
P25
Q20
Q25

4K
5K
5K7
6K
6K5

### 2 Protective basket

P - plastic basket  
PC - polycarbonate basket  
M - metal basket

### 3 Driver

1 - TRIDONIC  
1D - TRIDONIC with DALI II  
2 - TCI

### 4 Wiring

30 - single 3-pole terminal → 

3	0
---	---

  
40 - single 4-pole terminal → 

4	0
---	---

  
50 - single 5-pole terminal → 

5	0
---	---

### 5 Cable inlets - quantity

1 - one cable inlet on the side of the housing → 

1	0
---	---

  
11 - one cable inlet on both sides of the housing → 

1	1
---	---

 ←

### 6 Type of cable inlets

M20 - METAL, 6 mm - 13 mm  
M25 - METAL, 9 mm - 17 mm  
P20 - PLASTIC, 6 mm - 13 mm  
P25 - PLASTIC, 9 mm - 17 mm  
Q20 - PLASTIC 6 mm - 13 mm QUICK CONNECTOR - 3 POLE  
Q25 - PLASTIC 9 mm - 17 mm QUICK CONNECTOR - 5 POLE

### 7 Colour temperature

4K - 4000 K  
5K - 5000 K  
5K7 - 5700 K  
6K - 6000 K  
6K5 - 6500 K