

FARMER I LED PRO

Light fitting for the illumination of indoor and outdoor industrial spaces.

TECHNICAL DESCRIPTION

The body is made of steel sheet and finished with powder paint. The inorganic glass cover with seal and protective basket are fixed to the body with four metal caps. There is a LED module built inside the light fitting and it is comprised of a board fitted with LEDs and a power supply. According to the individual types, the light fitting includes: an AISi terminal box, a steel pipe, or a galvanized steel sheet boom. The light fitting is made as a through light fitting and is provided with two cable outlets. The max. cross-section of the connecting conductors is 4 mm². The light fitting is produced with plastic cable gland as standard, metal gland is available on request.

INSTALLATION On the ceiling, wall.

VERSIONS Optional version of light fittings with reinforced corrosion protection – version „pz“, version with a protective steel basket – version „K“, version with a protective polycarbonate basket and stainless-steel caps – version „p“. Light fittings are provided with a self-resetting thermal fuse and surge guard up to 10 kV.

LIFETIME 100.000 hours, L90B10

DRIVER FUNCTIONS e CLO, ITG, IVG+, NFC, ETM+NTC, inputDIM

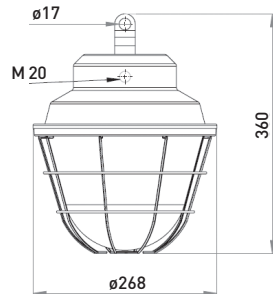
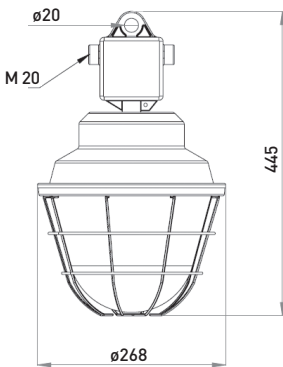
CONTROL DALI-2



591 36 01K PRO
591 37 01K PRO



591 36 02K PRO
591 37 02K PRO



		198 - 264V AC 176 - 276V DC	IP54 of 591 36 01 PRO IP66 of 591 36 02 PRO IP54 of 591 37 01 PRO IP66 of 591 37 02 PRO
Ta -40°C ÷ +50°C - 591 37 0x PRO -40°C ÷ +60°C - 591 36 0x PRO			
Carton (mm/pcs) 1000 x 280 x 280 / 1 650 x 280 x 280 / 2 650 x 320 x 280 / 2			

Type	Power input [W] / Luminous flux [lm]	Luminous efficiency [lm/W]	Angle of beam [°]	Colour temperature [K]	CRI	Part of light fitting	Weight [kg]
591 36 01 (K) PRO	30 / 4620	154	120	4000, 5000, 5700, 6500	>80	Terminal box	4,8
591 36 02 (K) PRO	30 / 4620	154	120	4000, 5000, 5700, 6500	>80	Holder	4,8
591 37 01 (K) PRO	45 / 6550	146	120	4000, 5000, 5700, 6500	>80	Terminal box	4,8
591 37 02 (K) PRO	45 / 6550	146	120	4000, 5000, 5700, 6500	>80	Holder	4,8

*/**/***

MAXIMUM CIRCUIT BREAKER LOAD AND NUMBER OF LUMINAIRES CONNECTED IN SERIES for 59x 36 0x PRO

Circuit breaker	C10	C13	C16	C20	B10	B13	B16	B20
Amount of luminaires max	20	26	33	43	12	16	20	26
Conductor cross-section	1,5	1,5	2,5	4	1,5	1,5	2,5	4

MAXIMUM CIRCUIT BREAKER LOAD AND NUMBER OF LUMINAIRES CONNECTED IN SERIES for 59x 37 0x PRO

Circuit breaker	C10	C13	C16	C20	B10	B13	B16	B20
Amount of luminaires max	10	13	17	22	6	8	10	13
Conductor cross-section	1,5	1,5	2,5	4	1,5	1,5	2,5	4

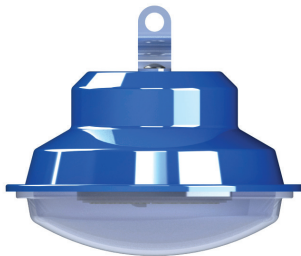
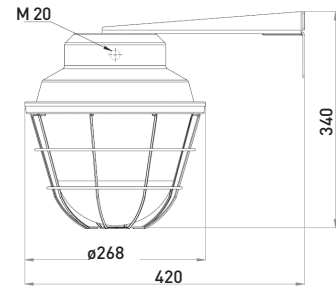
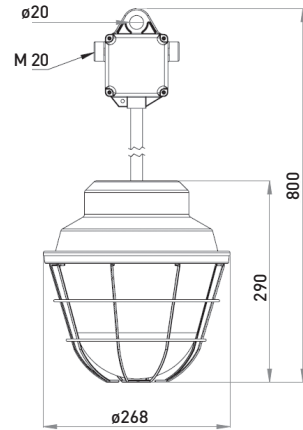
Starting current Imax	time
24.88A	236us
41.6A	238us

* Actual values may vary due to the types of circuit breakers used and the installation environment.



593 36 04K PRO
593 37 04K PRO

592 36 03K PRO
592 37 03K PRO



COMING SOON

Low glass for all versions of the FARMER luminaire.

CE	⚡	LED	198 - 264V AC 176 - 276V DC	IP54 of 592 36 03 PRO IP66 of 592 37 03 PRO
<p>Ta</p> <p>-40°C ÷ +50°C - 59x 37 0x PRO -40°C ÷ +60°C - 59x 36 0x PRO</p>				IP54 of 592 36 04 PRO IP66 of 593 37 04 PRO
<p>Carton (mm/pcs)</p>		<p>1000 x 280 x 280 / 1 650 x 280 x 280 / 2 650 x 320 x 280 / 2</p>		

Type	Power input [W] / Luminous flux [lm]	Luminous efficiency [lm/W]	Angle of beam [°]	Colour temperature [K]	CRI	Part of light fitting	Weight [kg]
592 36 03 (K) PRO	30 / 4620	154	120	4000, 5000, 5700, 6500	>80	Pipe and terminal box	4,8
593 36 04 (K) PRO	30 / 4620	154	120	4000, 5000, 5700, 6500	>80	Boom	4,8
592 37 03 (K) PRO	45 / 6550	146	120	4000, 5000, 5700, 6500	>80	Pipe and terminal box	4,8
593 37 04 (K) PRO	45 / 6550	146	120	4000, 5000, 5700, 6500	>80	Boom	4,8

*By adding the letter „K” after the type designation, the light fittings will be provided with protective baskets (591 36 01 K).

**By adding the letter „p” after the type designation, the light fittings will be made with protective polycarbonate baskets and stainless-steel caps – for harsh conditions (591 36 01 p).

***By adding the letters „pz” after the type designation, the light fittings will be made with reinforced corrosion protection – for extra harsh conditions (591 36 01 Kpz).

TO ORDER

Glass cover 232.5068/1	Protective steel basket 1-99.6231	Protective basket polycarbonate 182.2540 PMMA 182.5005	Stainless steel cap 4-99.6180/01	Metal cap 4-99.8470/01

LUMINAIRES CONFIGURATOR

Applies to a group of luminaires **FARMER I LED, FARMER I LED PRO, FARMER II LED, FARMER I LED PRO 50W**

591 36 01PRO₁-P₂-1D₃-30₄-11₅-M20₆-4K₇

1 Type

P
PC
M

1
1D
2

30
40
50

10
11

M20
M25
P20
P25
Q20
Q25

4K
5K
5K7
6K
6K5

2 Protective basket

P - plastic basket
PC - polycarbonate basket
M - metal basket

3 Driver

1 - TRIDONIC
1D - TRIDONIC with DALI II
2 - TCI

4 Wiring

30 - single 3-pole terminal →

3	0
---	---

40 - single 4-pole terminal →

4	0
---	---

50 - single 5-pole terminal →

5	0
---	---

5 Cable inlets - quantity

1 - one cable inlet on the side of the housing →

1	0
---	---

11 - one cable inlet on both sides of the housing →

1	1
---	---

 ←

6 Type of cable inlets

M20 - METAL, 6 mm - 13 mm
M25 - METAL, 9 mm - 17 mm
P20 - PLASTIC, 6 mm - 13 mm
P25 - PLASTIC, 9 mm - 17 mm
Q20 - PLASTIC 6 mm - 13 mm QUICK CONNECTOR - 3 POLE
Q25 - PLASTIC 9 mm - 17 mm QUICK CONNECTOR - 5 POLE

7 Colour temperature

4K - 4000 K
5K - 5000 K
5K7 - 5700 K
6K - 6000 K
6K5 - 6500 K