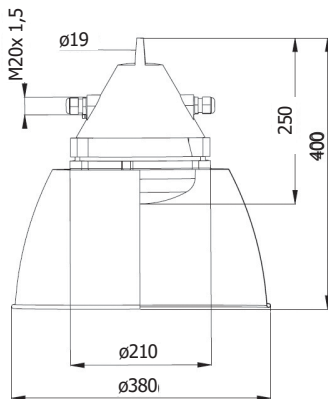


II 3G Ex nR IIC T6/T5 Gc Zone 2/22 II 3D Ex tc IIIC T80°C/ T95°C Dc

Explosion-proof light fitting for the illumination of indoor and outdoor industrial spaces with the danger of gas, vapour and dust explosion



TECHNICAL DESCRIPTION

The body and flange of the light fitting are AISi alloy castings finished with RAL 1005 powder paint. The optical cover is made of tempered glass. There are two cable outlets on the light fitting sides. There is a LED module built inside the light fitting, and it is comprised of a board fitted with LEDs and a power supply. The light fitting is designed as a through light fitting, for a three-phase connection (five-core cable). When the light fitting is used as terminal light fitting, the free cable outlet is blinded with a plug. The max. cross-section of the connecting conductors is 4 mm². The light fitting is produced with plastic cable gland as standard, metal gland is available on request.

INSTALLATION

With a steel suspension with an eye $\varnothing 20$ mm, ceiling holder 4-99.7995, flexible suspension 2-99.5550, support holder 338.2783.

VERSIONS

Light fitting is provided with a self-resetting thermal fuse and a surge guard up to 10 kV.

LIFETIME

100.000 hours, L90B10

DRIVER FUNCTIONS

e CLO, ITG, IVG+, NFC, ETM+NTC, inputDIM

198 - 264V AC 176 - 280V DC	50 Hz 60 Hz	Ta -40°C ÷ +50°C – T6 -40°C ÷ + 70°C – T5	
Carton (mm/pcs) 240 x 240 x 260 / 1			

Type	Power input [W] / Luminous flux [lm]	Luminous efficiency [lm/W]	Temperature class	Angle of beam [°]	Color temperature [K]	CRI	Weight [kg]
591 15 01n	35 / 4 786	137	T6 / T80°C T5 / 95°C	120	4000 (standard), 5000, 5700, 6500	>80	6
591 15 02n	25 / 3 533	141	T6 / T80°C T5 / T95°C	120	4000 (standard), 5000, 5700, 6500	>80	6
591 15 03n	15 / 2 179	143	T6 / T80°C T5 / T95°C	120	4000 (standard), 5000, 5700, 6500	>80	6

MAXIMUM CIRCUIT BREAKER LOAD AND NUMBER OF LUMINAIRES CONNECTED IN SERIES

Circuit breaker	C10	C13	C16	C20	B10	B13	B16	B20
Amount of luminaires max	20	26	33	43	12	16	20	26
Conductor cross-section	1,5	1,5	2,5	4	1,5	1,5	2,5	4

Starting current Imax	time
24.88A	236us

* Actual values may vary due to the types of circuit breakers used and the installation environment.

TO ORDER



Shade
254.5021/01



Flexible suspension
2-99.5550



Support holder
338.2783



Holder for mounting
on the ceiling
4-99.7995



Screw plug
V-MS-VMQ-Ex
M20x1,5



Blinding plug
HSK-V-Ex M20x1,5