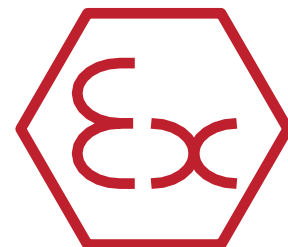
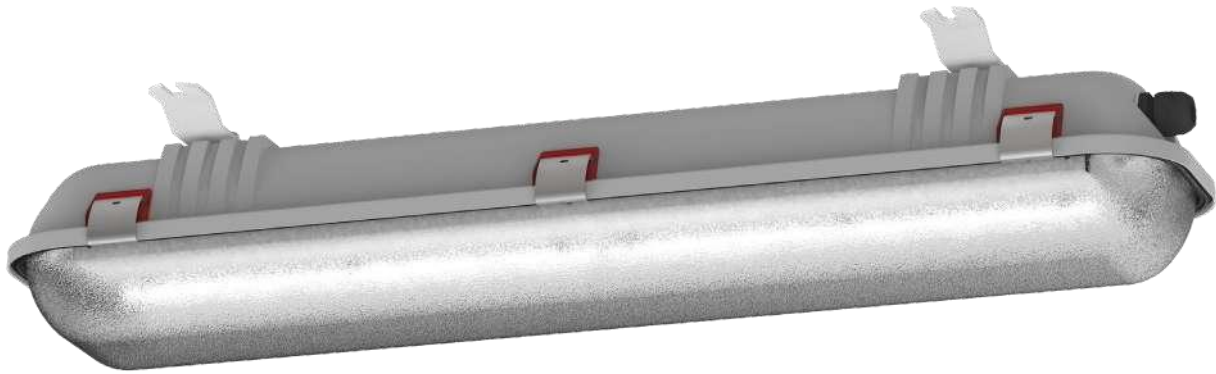


ZONE I,2I&2,22

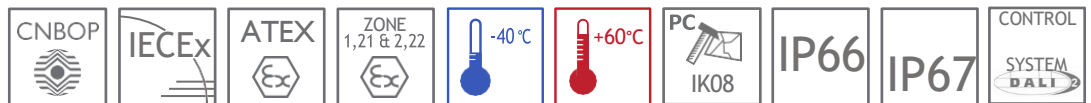


ES EXF250LED





CNBOP 5392/2024*
KDB 15ATEX0049X
IECEX KDB 20.0003X



* - update in progress

EX MARKING:

II 2G Ex eb mb IIC T5 Gb
II 2D Ex tb IIIC T55°C Db or T70°C Db

EXEMPLARY APPLICATIONS



REFINERIES



OFFSHORE



CHEMICAL
PLANTS



CHEMICAL
WAREHOUSES



PASSAGEWAYS
IN EX ZONES

Explosionproof light fitting with **LED modules** for suspended coffered ceilings or to be mounted on the ceiling surface. Designed to work in the zone **1.21 & 2.22** of the explosion hazard of gases, vapors and mists of flammable liquids with air, as well as of flammable dusts and fibers. The housing is made of **GRP**.

Optional version powered from central battery **ZB** or with DALI-2 driver **DA**.

The luminaire is not intended for exposure to external weather conditions.



Elektrosvit
Svatobořice, a. s.







All rights reserved.

The company ELEKTROSVIT Svatobořice, a. s. reserves the right to make changes without prior notice.







FEATURES





MECHANICAL PARAMETERS

	housing	glass fibre reinforced polyester (GRP)
	diffuser	polymethyl methacrylate (PMMA) or UV stabilised polycarbonate (PC)
	ingress protection	IP66/IP67
	protection class	I
	impact resistance	PC: IK08
	mounting	using brackets check: mountings


ELECTRICAL PARAMETERS

2,5 mm ²		connection terminals
35E: 220-240V 50-60Hz, 220-240V 0Hz 25E: 110-254V 50-60Hz, 220-250V 0Hz		input voltage
intrinsically safe LED modules		light source
>0,97		power factor
Ø20 (wire 6-13mm) Ø25 - optionally (wire 9-17mm)		cable inlets
35E: 4 kV (L-N), 4 kV (L-PE) 25E: 1 kV (L-N), 2 kV (L-PE)		overvoltage protection

WORK PARAMETERS

	ambient temperature	-40°C to max +60°C check: types of comparison
	lifetime	>100.000h L80 B50

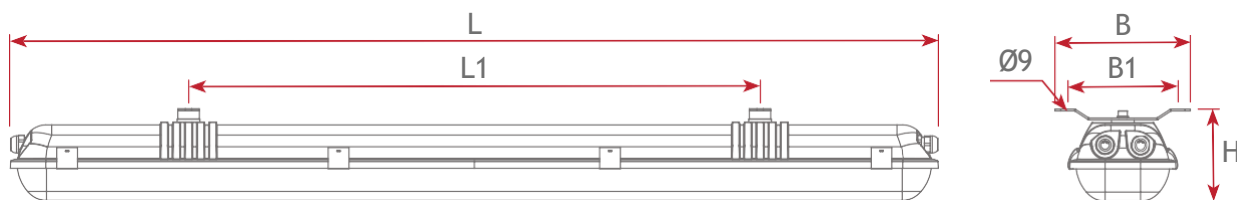
PHOTOMETRICAL PARAMETERS

>85		CRI
4000K 6500K - optionally		color temperature



As a standard, the housing is equipped with a 21 gland system (two glands on one side and one on the other side of the housing). This housing can be used both as a terminal and a cross-type (both sides or one side). The glands are equipped with sealing plugs, which should be left in place if the glands are not used.

DIMENSIONS



TYPE	L [mm]	L1 [mm]	B [mm]	B1 [mm]	H [mm]	WEIGHT
ES EXF250LED-0600	700	450	190	160	129	5,5kg
ES EXF250LED-1200	1300	800	190	160	129	9kg

STANDARD TYPES COMPARISON

⚡ Voltage 220-240V 50-60Hz; 220-240V 0Hz (35E)

HIGH OUTPUT (HO) TYPES

II 2G Ex eb mb IIC T5 Gb
II 2D Ex tb IIIC T55° C Db

TYPE	LUMINOUS FLUX [lm]	POWER CONSUMP. [W]	EFFICIENCY [lm/W]	MAX. TEMP. [°C]
ES EXF250LED-0600-FX1	2715	19,8	137	45
ES EXF250LED-0600-FX2	5439	36,6	149	45
ES EXF250LED-1200-FX2	5511	36,6	151	45
ES EXF250LED-1200-FX4	10701	70,3	152	45

HIGH TEMPERATURE (HT) TYPES

II 2G Ex eb mb IIC T5 Gb
II 2D Ex tb IIIC T70° C Db

TYPE	LUMINOUS FLUX [lm]	POWER CONSUMP. [W]	EFFICIENCY [lm/W]	MAX. TEMP. [°C]
ES EXF250LED-0600-GX2	3484	24,4	143	60
ES EXF250LED-1200-GX2	3535	24,4	145	60
ES EXF250LED-1200-GX4	6922	45,8	151	55

OPTIONAL TYPES COMPARISON

⚡ Voltage 110-254V 50-60Hz; 220-250V 0Hz (25E)

HIGH OUTPUT (HO) TYPES

II 2G Ex eb mb IIC T5 Gb
II 2D Ex tb IIIC T55° C Db

TYPE	LUMINOUS FLUX [lm]	POWER CONSUMP. [W]	EFFICIENCY [lm/W]	MAX. TEMP. [°C]
ES EXF250LED-0600-FX1	2715	20,5	132	45
ES EXF250LED-0600-FX2	5439	37,2	146	45
ES EXF250LED-1200-FX2	5511	37,3	148	45
ES EXF250LED-1200-FX4	10701	74,5	144	45

HIGH TEMPERATURE (HT) TYPES

II 2G Ex eb mb IIC T5 Gb
II 2D Ex tb IIIC T70° C Db

TYPE	LUMINOUS FLUX [lm]	POWER CONSUMP. [W]	EFFICIENCY [lm/W]	MAX. TEMP. [°C]
ES EXF250LED-0600-GX2	3484	25,3	138	60
ES EXF250LED-1200-GX2	3535	25,3	140	60
ES EXF250LED-1200-GX4	6922	46,7	148	55



Luminous flux tolerance +/- 10%
Power tolerance +/- 10%
The parameters given in the following data sheet has been determined for the temperature $T_a=25^{\circ}\text{C}$.

Luminous flux, light intensity distribution and efficiency has been tested based on the standards EN ISO 17025:2005, norm series EN13032 and LM-79.

CENTRAL BATTERY VERSION

ZB Central battery: Version adapted to be powered from central battery **ZB**

For ZB version, below -35 °C power source switching is not allowed.

35E (50% nominal luminous flux)

MEAN EMERGENCY LUMINOUS FLUX

TYPE	EMERGENCY FLUX [lm]
ES EXF250LED-0600-FX1	1358
ES EXF250LED-0600-FX2	2720
ES EXF250LED-0600-GX2	1742
ES EXF250LED-1200-FX2	2756
ES EXF250LED-1200-FX4	5351
ES EXF250LED-1200-GX2	1768
ES EXF250LED-1200-GX4	3461

25E (100% nominal luminous flux)

MEAN EMERGENCY LUMINOUS FLUX

TYPE	EMERGENCY FLUX [lm]
ES EXF250LED-0600-FX1	2715
ES EXF250LED-0600-FX2	5439
ES EXF250LED-0600-GX2	3484
ES EXF250LED-1200-FX2	5511
ES EXF250LED-1200-FX4	10701
ES EXF250LED-1200-GX2	3535
ES EXF250LED-1200-GX4	6922

OPTIONAL VERSIONS

3F 3-phase: Version with terminals L1, L2, L3, PE, N powered from L and N with voltage of 230V **3F**

DA DALI-2 driver: Version equipped with DALI-2 driver **DA**

Optionally, the housing can be equipped with an integrated power supply with a DALI-2 interface, which allows monitoring the operation of the fixture and controlling the lighting using data directly from motion sensors or from the building management system (BMS). A properly configured lighting control system can significantly reduce electricity costs and improve user ergonomics.

The DALI-2 power supply is available only for the 35E power version (220-240V, 50-60Hz). For temperatures below -30 °C, DALI functionality may be limited. Power at the terminal > 12V.

MAXIMUM NUMBER OF FIXTURES CONNECTED IN LINE

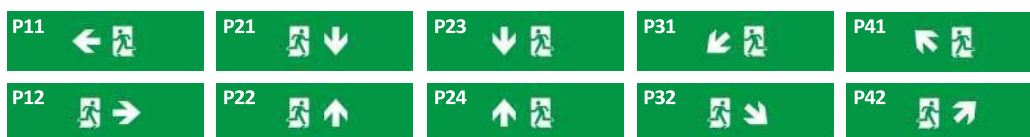
MAXIMUM NUMBER OF LINE CONNECTED LUMINAIRES DEPENDING ON THE USED CIRCUIT BREAKERS

Power supply	B16	C16	Max. starting current	Starting time
25E	24	40	24A	< 250 μs
35E	27	45	4A	< 1300 μs

OPTIONAL PICTOGRAM FOR ZB VERSION



Optionally, the ZB version of the luminaire can be equipped with a pictogram.



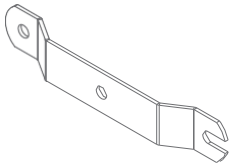
Pictogram brightness >200 cd/m2

The pictogram version can only be selected for the FX2 luminaire type.

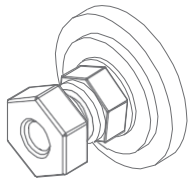
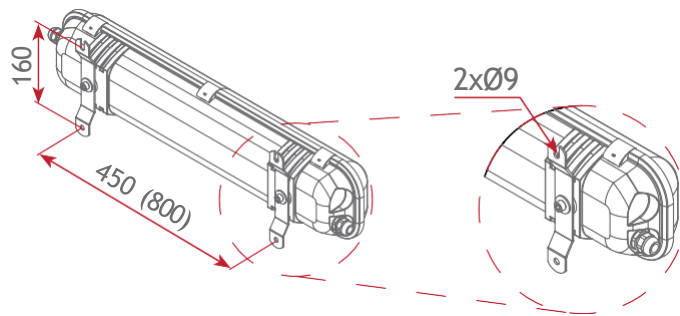


The product version with pictogram and 3-hour emergency power supply module is available on a separate data sheet ES EXF250LED-A3.

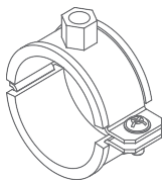
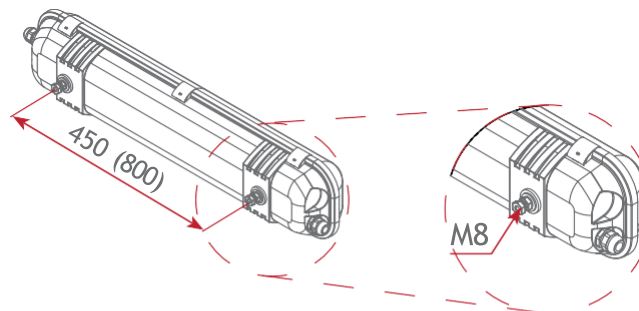
MOUNTINGS

**standard
AMO1**

standard mounting bracket
made of 1.5mm thick steel,
mounting hole spacing
160mm

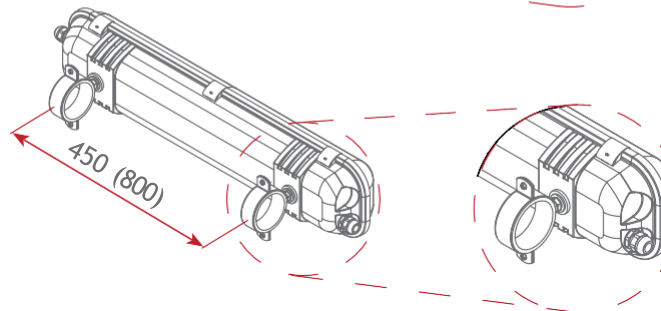
**BK**

standard bolt kit made to
install the light fitting on the
thin surfaces or the cable trays

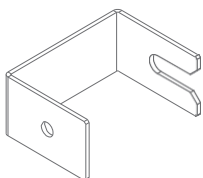
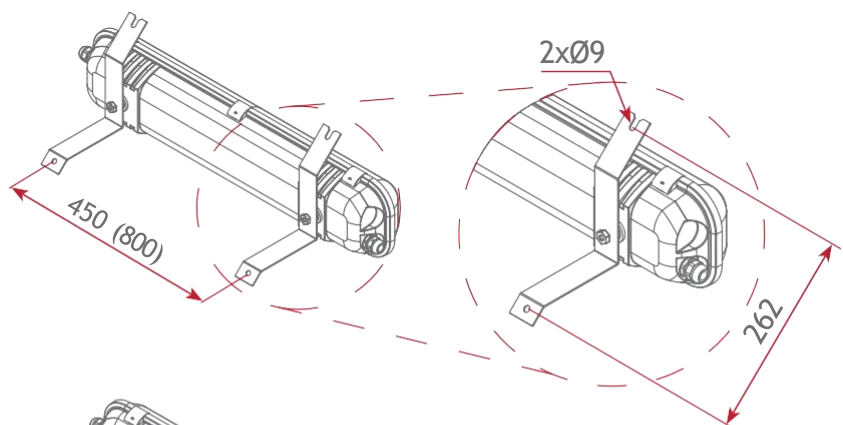
**AMO3**

stainless steel pipe clamp:
AMO3A: 26-30mm,
AMO3B: 31-36mm,
AMO3C: 41-46mm,
AMO3D: 47-52mm,
AMO3E: 59-64mm

Please specify while ordering.

**AMO4**

bracket for installation at 45°

**AMO5**

68mm distance bracket

