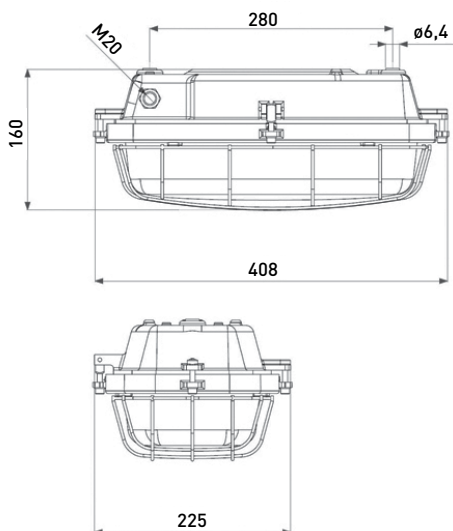


# TUB LED PRO



**USE** Light fitting for the illumination of indoor and outdoor industrial spaces.

**TECHNICAL DESCRIPTION** The light fitting body and flange are AlSi alloy castings finished with powder paint. There are two cable outlets on the sides of the light fitting. There is a LED module built inside the light fitting and it is comprised of a board fitted with LEDs and a power supply. The light fitting is designed as a through light fitting. When the light fitting is used as a terminal light fitting, the free cable outlet is blinded with a plug. The max. cross-section of the connecting conductors is 2.5 mm<sup>2</sup>. The light fitting is produced with plastic cable glands as a standard, metal cable glands are available on request.

**INSTALLATION** On the ceiling, wall.

**VERSIONS** The light fittings are provided with a self-resetting thermal fuse and a surge guard up to 10 kV.

**LIFETIME** 100.000 hours, L90B10

**FUNKCE DRIVERU** eCLO, ITG, IVG+, Power-up fading

**CONTROL** DALI-2

CE	LED	IP66	F
198 – 264V AC 176-280V DC		Ta -40°C ÷ + 50°C	
Carton (mm/pcs) 415 x 235 x 210 / 1			

Type	Power input [W] / Luminous flux [lm]	Luminous efficiency [lm/W]	Angle of beam [°]	Colour temperature [K]	CRI	Weight [kg]
591 34 01 PRO	30 / 3572	129	120	4000	>80	6
591 34 02 PRO	20 / 2419	129	120	4000	>80	6

## TO ORDER



Protective sand-blasted glass  
132.2551



Protective basket  
1-99.8535/1



Cable gland plastic  
M20x1,5



Cable gland metal  
M20x1,5



Blinding plug  
M20x1,5

