

PEGAS LED PRO



USE

Light fitting for the illumination of heavy indoor and outdoor industrial spaces with a high level of mechanical stress.

TECHNICAL DESCRIPTION

The light fitting body and flange are AlSi alloy castings finished with powder paint. The optical cover is made of tempered glass. A steel suspension with an eye is fixed to the top part of the body. There are two cable outlets on the light fitting sides. There is a LED module built inside the light fitting and it is comprised of a board fitted with LEDs and a power supply. The light fitting is designed as a through light fitting, for three-phase connection (five-core cable). When the light fitting is used as a terminal light fitting, the free cable outlet is blinded with a plug. The max. cross-section of the connecting conductors is 4 mm². The light fitting is produced with plastic cable gland as standard, metal gland is available on request.

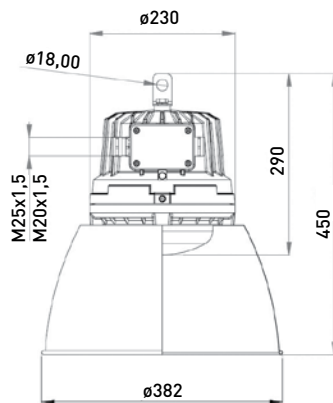
INSTALLATION With a steel suspension with an eye $\varnothing 18$ mm

VERSIONS Light fittings are provided with a self-resetting thermal fuse and surge guard up to 10 kV. Standard light fittings are available with cable outlets M25x1.5, optionally with cable outlets M20x1.5

LIFETIME 100.000 hours, L90B10

DRIVER FUNCTIONS eCLO, ITG, IVG+, Power-up fading

CONTROL DALI-2



CE		198 - 264V AC 176-280V DC
IP66	50 Hz 60 Hz	Ta -40°C ÷ +50°C
Carton (mm/pcs) 300 x 250 x 270 / 1		

Type	Power input [W] / Luminous flux [lm]	Luminous efficiency [lm/W]	Angle of beam [°]	Colour temperature [K]	CRI	Weight [kg]
591 41 01 (K) PRO	50 / 7000	140	120	4000	>80	10
591 41 02 (K) PRO	30 / 4365	146	120	4000	>80	10

*By adding the letter „K“ after type designation, light fittings will be provided with protective steel baskets (591 41 01 K PRO).

TO ORDER



Shade
254.5021/01



Holder for mounting
on the ceiling
4-99.7995



Holder for mounting
on the wall
338.2735



Cable gland plastic
M20x1,5 / M25x1,5



Cable gland metal
M20x1,5 / M25x1,5



Blinding plug
M20x1,5 / M25x1,5

