

JUNIOR LED



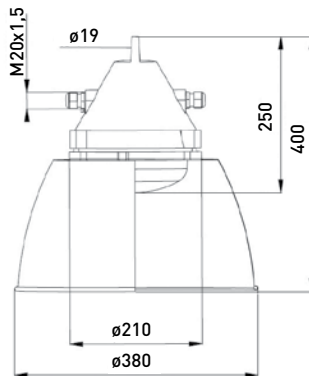
USE Light fitting for the illumination of heavy indoor and outdoor industrial spaces with a high level of mechanical stress.

TECHNICAL DESCRIPTION The light fitting body and flange are AlSi alloy castings finished with powder paint. The optical cover is made of tempered glass. There are two cable outlets on the light fitting sides. There is a LED module built inside the light fitting and it is comprised of a board fitted with LEDs and a power supply. The light fitting is designed as a through light fitting, for three-phase connection (five-core cable). When the light fitting is used as a terminal light fitting, the free cable outlet is blinded with a plug. The max. cross-section of the connecting conductors is 4 mm². The light fitting is produced with plastic cable gland as standard, metal gland is available on request.

INSTALLATION With a suspension eye $\varnothing 19$ mm, ceiling holder 4-99.7995, flexible suspension 2-99.5550

VERSIONS Light fittings are provided with a self-resetting thermal fuse and surge guard up to 3 kV

LIFETIME 50.000 hours, L80B20



| | | | |
|-------------------------------------|----------------|---------------------|------------------------------|
| CE | ⏚ | LED | 198 – 264V AC 176-280V DC |
| IP66 | 50 Hz 60 Hz | Ta -30°C ÷ +40°C | |
| Carton (mm/pcs) 240 x 240 x 260 / 1 | | | |

| Type | Power input [W] /Luminous flux [lm] | Luminous efficiency [lm/W] | Angle of beam [°] | Colour temperature [K] | CRI | Weight [kg] |
|---------------|--|-------------------------------|----------------------|---------------------------|-----|-------------|
| 591 15 01 (K) | 35 / 4694 | 137 | 120 | 4000 | >80 | 6 |
| 591 15 02 (K) | 25 / 3501 | 141 | 120 | 4000 | >80 | 6 |
| 591 15 03 (K) | 15 / 2196 | 143 | 120 | 4000 | >80 | 6 |

*By adding the letter „K“ behind type designation, light fittings will be provided with protective steel basket (591 15 01 K).

TO ORDER



Shade
254.5021/01



Holder for mounting
on the ceiling
4-99.7995



Holder for mounting
on the wall
338.2735



Cable gland plastic
M20x1,5 / M25x1,5



Cable gland metal
M20x1,5 / M25x1,5



Blinding plug
M20x1,5 / M25x1,5