

ES EXL380LED

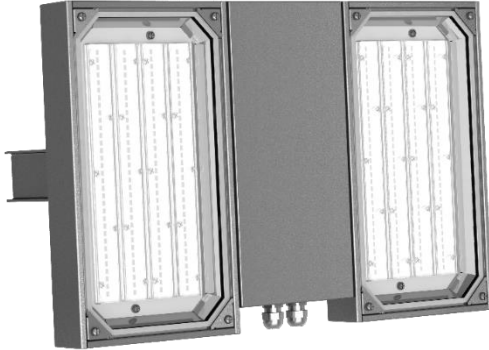
Use:

Explosion-proof light fitting for the illumination of indoor and outdoor industrial spaces with the danger of gas, vapour and dust explosion.

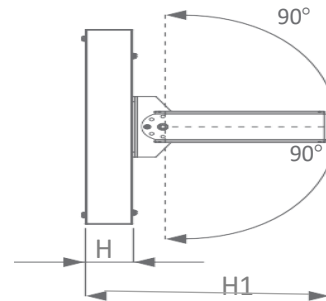
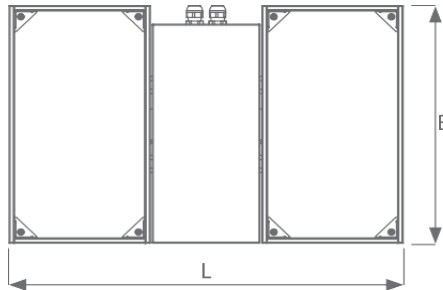
Zone 21
Zone 2/22



II 3G Ex ec op is IIC T4 Gc
II 2D Ex tb op is IIIC T80°C Db



CE	220-240 V AC 50/60 Hz	IP65	ATEX
LED	4000K 6500K (optionally)	CRI: >80	Ta -40°C ÷ +40°C
440 x 400 x 145 / 1			
Carton (mm/pcs): 650 x 420 x 145 / 1			
890 x 420 x 145 / 1			



Technical description:

The body is made of powder painted stainless steel sheet or brushed stainless steel sheet (for a special request). The diffuser is made of tempered glass. The max. cross-section of connecting conductors is 2,5mm².

Installation:

Luminaire for direct installation with use of mounting bracket. Standard light fittings are available with brass cable outlets M20x1,5, optionally with brass cable outlets M25x1,5.

To order:

DALI interface

Type	Power input [W]	Efficiency [lm/W]	Luminous flux [lm]	Types comparison	Dimensions L x B x H1 [mm]
ES EXL380LED-045-E4	53	125	6570	Common appl.	405 x 386 x 321
ES EXL380LED-090-E8	98	120	11800	Common appl.	642 x 386 x 321
ES EXL380LED-130-E12	146	116	16870	Common appl.	885 x 386 x 321
ES EXL380LED-045-E4	53	140	7423	Narrow beam	405 x 386 x 321
ES EXL380LED-090-E8	98	141	13850	Narrow beam	642 x 386 x 321
ES EXL380LED-130-E12	146	140	20490	Narrow beam	885 x 386 x 321

*By adding number 10 behind type designation, light fittings will be provided with one cable gland on one side of light fixture, without a cross wiring.

*By adding number 11 behind type designation, light fittings will be provided with two cable glands on one side of light fixture, with a cross wiring.

E.g. ES EXL380LED-045-E4-10 – the light fitting will be provided with one polyamide cable gland on one side of light fixture without a cross wiring.