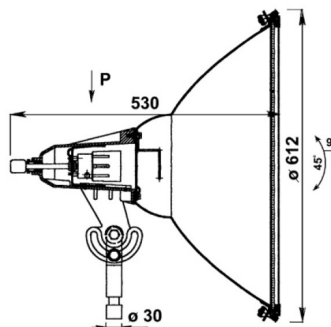


# SPOT II



## Use:

Light fitting for the illumination of sports facilities, car parks, ancient monuments, building facades, construction sites, halls as well as industrial spaces.

CE	230V 50Hz		IP54	VVG 
Ta -25°C ÷ 35°C			E40	
Carton (mm/pcs): 630 x 630 x 550 /1				

## Technical description:

The light fitting body is an AlSi alloy casting finished with powder paint. The aluminium ballast box with electrical equipment inside is fixed to the body. The reflector is made of anodized, chemically polished aluminium sheet. The optical cover is made of hardened safety glass. To change the radiation pattern, the light source position is adjustable by means of a drawbar. The holder enables turning the floodlight in both the horizontal and vertical position. As a standard, the floodlight is supplied with a base-type holder (weld type to order). The max. cross-section of the connecting conductors is 6 mm<sup>2</sup>.

## Installation:

On the wall, pole or another solid substrate (structure) ensuring firm connection.

## To order:

Rim with glass and rubber seal 2-99.7043/1, base-type holder 4-99.5526.

Type	Recommended light source [W]	Weight [kg]
743 01 05	High-pressure sodium discharge lamp (NAV SUPER) 600	13
743 01 06	High-pressure sodium discharge lamp 400	13
743 01 07	High-pressure sodium discharge lamp 250	13
743 01 08	High-pressure mercury discharge lamp 400	13
743 01 09	High-pressure mercury discharge lamp 250	13
743 01 10	High-pressure halide lamp 400	13

