

SIMPLEX

Use:

Explosion-proof light fitting for the illumination of indoor and outdoor industrial spaces with a danger of gas, vapour and dust explosion.

zone 2/22



II 3G Ex nR IIC T3 – T6 Gc
II 3D Ex tc IIIC Tmax. of surface Dc



CE	IP65		Ta -20°C ÷ +40°C version "n" -20°C ÷ +50°C version "nt" -20°C ÷ +50°C version "nSt" -20°C ÷ +55°C version "nS" -40°C ÷ +40°C version "nF" -40°C ÷ +50°C version "nFt"
VVG 	230V 50Hz	24-230 V DC	
ATEX 2014/34/EU	E27	Carton (mm/pcs): 355 x 240 x 240/1	

Technical description:

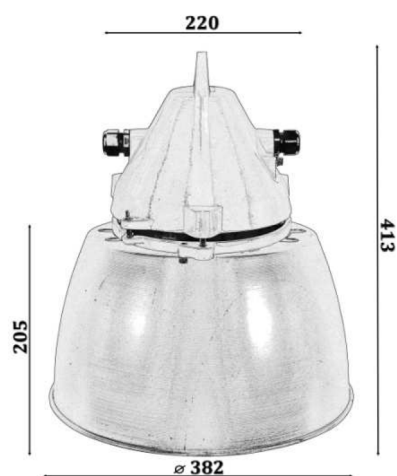
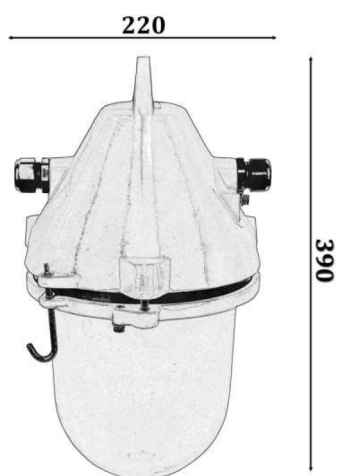
The body and flange of the light fitting are AlSi alloy castings finished with RAL 1005 powder paint. The optical cover is made of tempered glass. There are two cable outlets on the light fitting sides. There is electrical equipment and a reflector built inside the light fitting. The light fitting is designed as a through light fitting, for three-phase connection (five-core cable). When the light fitting is used as a terminal light fitting, the free cable outlet is blinded with a plug. The max. cross-section of the connecting conductors is 4 mm².

Installation:

With a suspension eye $\varnothing 19$ mm, ceiling holder 4-99.7995, flexible suspension 2-99.5550.

To order:

Ballast box BOX 2 for fitting with a discharge lamp, shade 254.5021/01, protective basket 2-99.6195, ceiling holder 4-99.7995, flexible suspension 2-99.5550, blinding plug HSK-V-Ex M20x1.5, screw plug V-Ex M20x1.5, screw plug V-Ms-VMQ-Ex M20x1.5.



Type	Recommended light source [W]	Temperature class	T max. of surface [°C]	Voltage [V/Hz]	Weight [kg]
511 14 07 n	Halogen bulb Philips EcoClassic 140	T4	108	230 / 50	5
511 14 07 n	Bulb CLAS 200	T4	104	230 / 50	5
511 14 07 n	Blended lamp HWL 160	T4	99	230 / 50	5
511 14 07 n	**High-pressure mercury discharge lamp HQL 80	T5	95	230 / 50	5
511 14 07 n	***High-pressure mercury discharge lamp HQL 125	T4	121	230 / 50	5
511 14 07 n	Compact fluorescent tube DULUX EL 23	T6	59	230 / 50	5
511 14 07 nt	Halogen bulb Philips EcoClassic 140	T4	118	230 / 50	5
511 14 07 nt	Bulb CLAS 200	T4	114	230 / 50	5
511 14 07 nt	Blended lamp HWL 160	T4	109	230 / 50	5
511 14 07 nt	**High-pressure mercury discharge lamp HQL 80	T4	105	230 / 50	5
511 14 07 nt	***High-pressure mercury discharge lamp HQL 125	T3	131	230 / 50	5
511 14 07 nt	Compact fluorescent tube DULUX EL 23	T6	69	230 / 50	5
511 14 07 nSt	Bulb (DC) 100	T4	100	24-230 DC	5
511 14 07 nSt	Compact fluorescent tube DULUX EL FACILITY 18	T6	69	230 DC	5
511 14 07 nS	Bulb NARVA AGM 60	T5	90	110 DC	5
511 14 07 nF	Halogen bulb Philips EcoClassic 140	T4	108	230 / 50	5
511 14 07 nF	Bulb CLAS 200	T4	104	230 / 50	5
511 14 07 nF	Blended lamp HWL 160	T4	99	230 / 50	5
511 14 07 nF	**High-pressure mercury discharge lamp HQL 80	T5	95	230 / 50	5
511 14 07 nF	***High-pressure mercury discharge lamp HQL 125	T4	121	230 / 50	5
511 14 07 nFt	Halogen bulb Philips EcoClassic 140	T4	118	230 / 50	5
511 14 07 nFt	Bulb CLAS 200	T4	114	230 / 50	5
511 14 07 nFt	Blended lamp HWL 160	T4	109	230 / 50	5
511 14 07 nFt	**High-pressure mercury discharge lamp HQL 80	T4	105	230 / 50	5
511 14 07 nFt	***High-pressure mercury discharge lamp HQL 125	T3	131	230 / 50	5

*By adding letter "K" behind type designation, light fittings will be provided with protective steel baskets (511 14 07 nK)

**Light fitting provided with a mercury discharge lamp HQL 80W requires a ballast box type 604.6 nB

***Light fitting provided with a mercury discharge lamp HQL 125W requires a ballast box type 604.6 nA

