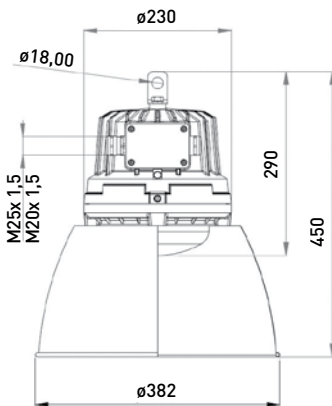


# ORION LED

Zone 1/21  
Zone 2/22

II 2G Ex db eb op is IIC T5-T6 Gb  
II 2D Ex tb op is IIIC Tmax. of surface °C Db



## USE

Explosion-proof light fitting for the illumination of indoor and outdoor industrial spaces with a danger of gas, vapour, and dust explosion.

## TECHNICAL DESCRIPTION

The body and flange of the light fitting are AlSi alloy castings finished with RAL 1005 powder paint. The optical cover is made of tempered glass. A steel suspension with an eye is fixed to the top part of the body. There are two cable outlets on the light fitting sides. There is a LED module built inside the light fitting and it is comprised of a board fitted with LEDs and a power supply. The light fitting is designed as a through light fitting, for three phase alternation (five-core cable). When the light fitting is used as a terminal light fitting, the free cable outlet is blinded with a plug. The max. cross-section of the connecting conductors is 4 mm<sup>2</sup>. The light fitting is produced with plastic cable gland as standard, metal gland is available on request.

## INSTALLATION

With a steel suspension with an eye  $\varnothing$ 18 mm

## VERSIONS

Light fittings are provided with a self-resetting thermal fuse and a surge guard up to 10 kV. Standard light fittings are available with cable outlets M25x1.5, optionally with cable outlets M20x1.5

## LIFETIME

100.000 hours, L90B10

## DRIVER FUNCTIONS

eCLO, ITG, IVG+, Power-up fading

## CONTROL

DALI-2

CE	LED	IP66	ATEX 2014/34/EU
3F	198-264V AC 176-280V DC	50 Hz 60 Hz	Ta -40°C ÷ +50°C
Carton (mm/pcs) 300 x 250 x 250 / 1			

Type	Power input [W] / Luminous flux [lm]	Luminous efficiency [lm/W]	Temperature class / T max. of surface [°C]	Angle of beam [°]	Colour temperature [K]	CRI	Weight [kg]
591 39 04 (K)	50 / 7165	143	T5 / 90	120	4000	>80	10
591 39 05 (K)	30 / 4365	146	T6 / 80	120	4000	>80	10

\*By adding letter „K“ behind type designation, light fittings will be provided with protective steel baskets (591 39 04K)

## TO ORDER



Shade  
254.5021/01



Protective basket  
2-99.7461



Holder for mounting  
on the ceiling  
4-99.7995



Holder for mounting  
on the wall  
338.2735



Screw plug  
V-Ex M25x1,5  
M20x1,5



Blinding plug  
HSK-V-Ex M25x1,5  
M20x1,5



Rotating holder  
3-99.6289

Cable glands  
see page 15