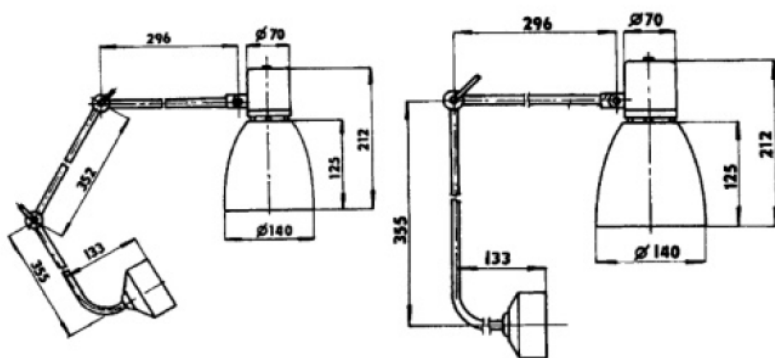
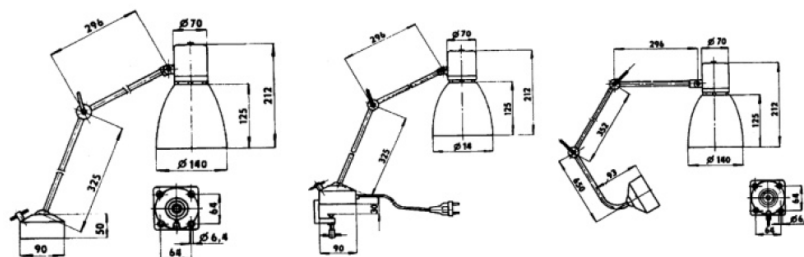


# MACHINE

## Use:

For the local illumination of the worktops of machine tools and other machines.



CE	230V 50Hz		IP20	Ta ±30°C
E27	Carton (mm/pcs): 830 x 425 x 155 / 4			

## Technical description:

The light fitting shade is made of pickled aluminium sheet, the outside is finished with powder paint. The cover is made of aluminium sheet, finished with powder paint and has a built-in switch. The arms of the steel pipes are finished with powder paint. The swivel joint enables the turning and tilting of the light fitting. The fasteners are AlSi alloy castings. The light fitting type 319 04 07 has a clamp and lead-in cable with a plug.

Type	Recommended light source [W]	Part of light fitting	Weight [kg]
319 04 06	Bulb CLAS 60 Halogen bulb 53	fixing element + 2 arms	1,4
319 04 07		vice + connecting cable with plug	1,6
319 04 08		fixing element + 3 arms	1,4
319 04 09		fixing element + 3 arms	1,3
319 18 01		fixing element + 2 arms	1,1