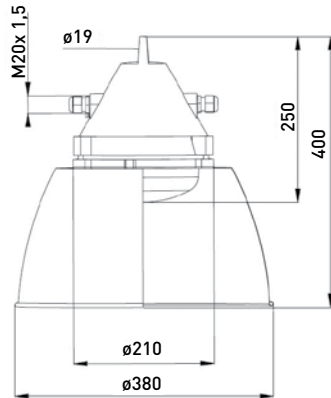


ERIS LED

Zone 2/22 II 3G Ex nR IIC T6 Gc
II 3D Ex tc IIIC T80°C Dc



USE Explosion-proof light fitting for the illumination of indoor and outdoor industrial spaces with the danger of gas, vapour, and dust explosion.

TECHNICAL DESCRIPTION The body and flange of the light fitting are AlSi alloy castings finished with RAL 1005 powder paint. The optical cover is made of tempered glass. There are two cable outlets on the light fitting sides. There is a LED module built inside the light fitting and it is comprised of a board fitted with LEDs and a power supply. The light fitting is designed as a through light fitting, for a three-phase connection (five-core cable). When the light fitting is used as a terminal light fitting, the free cable outlet is blinded with a plug. The max. cross-section of the connecting conductors is 4 mm². The light fitting is produced with plastic cable gland as standard, metal gland is available on request.

INSTALLATION With a suspension eye ø19 mm, ceiling holder 4-99.8103, flexible suspension 2-99.5550

VERSIONS Light fittings are provided with a self-resetting thermal fuse and a surge guard up to 10 kV

LIFETIME 100.000 hours, L90B10

DRIVER FUNCTIONS eCLO, ITG, IVG+, Power-up fading

CONTROL DALI-2

CE	LED	IP66	ATEX 2014/34/EU
198-264V AC 176-280V DC	50 Hz 60 Hz	Ta -40°C ÷ +50°C	
Carton (mm/pcs) 240 x 240 x 260 / 1			

Type	Power input [W] /Luminous flux [lm]	Luminous efficiency [lm/W]	Temperature class /T max. of surface [°C]	Angle of beam [°]	Colour temperature [K]	CRI	Weight [kg]
591 15 01n	35 / 4786	137	T6/80	120	4000	>80	6
591 15 02n	25 / 3533	141	T6/80	120	4000	>80	6
591 15 03n	15 / 2179	143	T6/80	120	4000	>80	6

TO ORDER



Shade
254.5021/01



Flexible suspension
2-99.5550



Support holder
338.2783



Holder for mounting
on the ceiling
4-99.7995



Screw plug
V-MS-VMQ-Ex
M20x1,5



Blinding plug
HSK-V-Ex
M20x1,5

Cable glands
see page 15