

SIRIUS LED

Zone 1/22 II 2G Ex db eb op is IIC T4 Gb
 Zone 2/22 II 2D Ex tb op is IIIC T90°C Db for 591 44 01 (K)
 II 2G Ex db eb op is IIC T5 Gb
 II 2D Ex tb op is IIIC T81°C Db for 591 44 02 (K)
 II 2G Ex db eb op is IIC T5 Gb
 II 2D Ex tb op is IIIC T87°C Db for 591 44 03 (K)



USE Explosion-proof light fitting for the illumination of indoor and outdoor industrial spaces with a danger of gas, vapour, and dust explosion.

TECHNICAL DESCRIPTION The body and flange of the light fitting are AlSi alloy castings finished with RAL 1005 powder paint. The optical cover is made of tempered glass. A steel suspension with eyes is fixed to the top part of the body. There are two cable outlets on the sides of the light fitting. The steel base plate with electrical equipment and reflector is built inside the light fitting. The light fitting is designed as a through light fitting, for three phase alternation (five-core cable). When the light fitting is used as a terminal light fitting, the free cable outlet is blinded with a plug. The max. cross-section of the connecting conductors is 4 mm². The light fitting is produced with plastic cable gland as standard, metal gland is available on request.

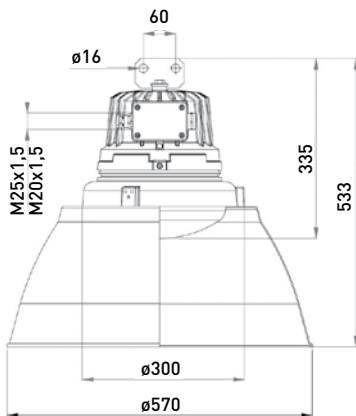
INSTALLATION With steel suspensions with eyes $\varnothing 16$ mm

VERSIONS Standard light fittings are available with cable outlets M25x1.5, optionally with cable outlets M20x1.5

LIFETIME 100.000 hours, L90B10

DRIVER FUNCTIONS eCLO, ITG, IVG+, Power-up fading

CONTROL DALI-2



CE	LED	⊕	IP66	ATEX 2014/34/EU
198-264V AC 176-280V DC	50 Hz 60 Hz	Ta -40°C ÷ +50°C - 591 44 01 -40°C ÷ +55°C - 591 44 02 -40°C ÷ +60°C - 591 44 03		
Carton (mm/pcs) 350 x 350 x 340 / 1				

Type	Power input [W] / Luminous flux [lm]	Luminous efficiency [lm/W]	Temperature class / T max. of surface [°C]	Colour temperature [K]	CRI	Weight [kg]
591 44 01 (K)	100 / 15 025	150	T4 / 90	4000	>80	15
591 44 02 (K)	75 / 11 475	153	T5 / 81	4000	>80	15
591 44 03 (K)	65 / 9750	150	T5 / 87	4000	>80	14

*By adding letter „K“ behind type designation, light fittings will be provided with protective steel baskets (591 44 01 K)

TO ORDER



Shade
154.5041/2



Protective basket
2-99.6325



Holder for mounting
on the ceiling
4-99.7995



Holder for mounting
on the wall
338.2735



Blinding plug
HSK-V-Ex M25x1,5
M20x1,5



Rotating holder
3-99.6289

Cable glands
see page 15

